

# Flute

Trasmettitore di design da 1 - 5 canali  
1 - 5 channel design transmitter



Flute



● cod. 99.421.001.SN

○ cod. 99.421.001.SB

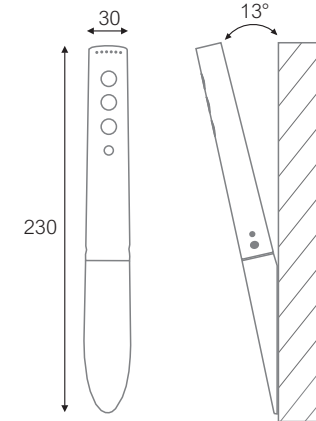


Flute 5



● cod. 99.421.005.SN

○ cod. 99.421.005.SB



Alimentazione / Power supply	3V (2xAAA)
Frequenza / Frequency	433,42 MHz
Portata / Range	100m
IP	20
Temperatura lavoro / Operating temperature	-20°C / +55°C

Quote in "mm" - Dimensions in "mm"