


**Adattatori STANDARD**  
Standard adapters

**28 mm**


**ADS.030.TOL**



Adattatore per rullo Ø 30 mm tondo  
Adapter for Ø 30 mm tube

**35 mm**

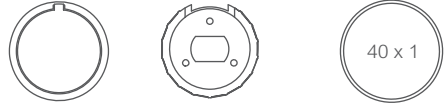
**PN.ADS.040.OTT**



Coppia adattatori per rullo 40 mm ottagonale  
Crown & adapter for 40 mm octagonal tube

**35 mm**


**PN.ADS.040.TON**



Coppia adattatori per rullo Ø 40 mm tondo  
Crown & adapter for Ø 40 mm tube

**35 mm**


**PN.ADS.043.TON**



Coppia adattatori per rullo Ø 43 mm tondo  
Crown & adapter for Ø 43 mm tube

**35 mm**


**PN.ADS.050.TON**



Coppia adattatori per rullo Ø 50 mm tondo  
Crown & adapter for Ø 50 mm tube

**35 mm**


**PN.ADS.057.000**



Coppia adattatori per rullo Ø 57 mm tondo  
Crown & adapter for Ø 57 mm tube

**35 mm**


**PN.ADS.057.MRN**



Coppia adattatori per rullo Ø 57 mm ACMEDA  
Crown & adapter for Ø 57 mm tube ACMEDA

**35 mm**

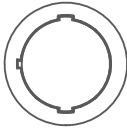
**CRN.040.050.UNI**



Corona universale per motori di Ø da 40 a 50 mm  
Universal crown for Ø 40 to 50 mm motors

**45 mm**


**CRN.063.ZIP.000**



Corona sottile per tende con ZIP  
Thin crown for ZIP screens

**45 mm**

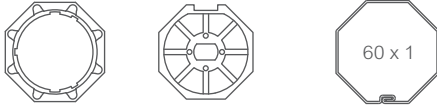
**PN.ADS.050.TON**



Adattatore per rullo Ø 50 mm tondo  
Adapter for Ø 50 mm tube

**45 mm**

**PN.ADS.060.OTT**




Coppia adattatori per rullo 60 mm ottagonale  
Crown & adapter for 60 mm octagonal tube

**45 mm**

**PN.ADS.A60.OTT**

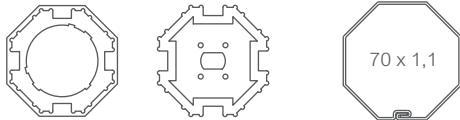
AL



Coppia adattatori in alluminio per rullo 60 mm ottagonale  
Crown & aluminium adapter for 60 mm octagonal tube

**45 mm**

**PN.ADS.070.OTT**




Coppia adattatori per rullo 70 mm ottagonale  
Crown & adapter for 70 mm octagonal tube

**45 mm**

**PN.ADS.A70.OTT**

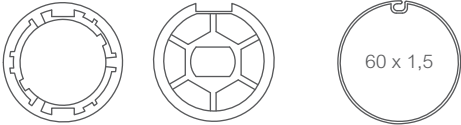
AL



Coppia adattatori in alluminio per rullo 70 mm ottagonale  
Crown & aluminium adapter for 70 mm octagonal tube

**45 mm**

**PN.ADS.060.TON**




Coppia adattatori per rullo Ø 60 tondo  
Crown & adapter for Ø 60 mm tube

**45 mm**

**PN.ADS.A60.TON**

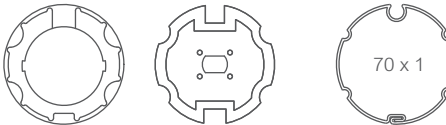
AL



Coppia adattatori in alluminio per rullo Ø 60 tondo  
Crown & aluminium adapter for Ø 60 mm tube

**45 mm**

**PN.ADS.070.OGI**




Coppia adattatori per rullo Ø 70 ogiva  
Crown & adapter for Ø 70 mm ogive tube

**45 mm**

**PN.ADS.A70.OGI**

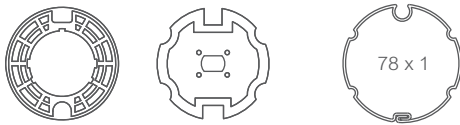
AL



Coppia adattatori in alluminio per rullo Ø 70 ogiva  
Crown & aluminium adapter for Ø 70 mm ogive tube

**45 mm**

**PN.ADS.078.OGI**




Coppia adattatori per rullo Ø 78 ogiva  
Crown & adapter for Ø 78 mm ogive tube

**45 mm**

**PN.ADS.A78.OGI**

AL



Coppia adattatori in alluminio per rullo Ø 78 ogiva  
Crown & aluminium adapter for Ø 78 mm ogive tube

**45 mm**

**PN.ADS.073.DOG**

73 x 1

Coppia adattatori per rullo Ø 73 mm DOPPIA OGIVA  
Crown & adapter for Ø 73 mm double ogive tube

**45 mm**

**PN.ADS.080.DOG**

80 x 1

Coppia adattatori per rullo Ø 80 mm DOPPIA OGIVA  
Crown & adapter for Ø 80 mm double ogive tube

**45 mm**

**PN.ADS.085.OGI**

80 x 1,2

Coppia adattatori per rullo Ø 85 mm ogiva  
Crown & adapter for Ø 85 mm ogive tube

**45 mm**

**PN.ADS.A85.OGI**

AL

80 x 1,2

Coppia adattatori in alluminio per rullo Ø 85 mm ogiva  
Crown & aluminium adapter for Ø 85 mm ogive tube

**45 mm**

**PN.ADS.A10.OGI**

AL

100 x 1,2

Coppia adattatori in alluminio per rullo Ø 100 mm ogiva  
Crown & aluminium adapter for Ø 100 mm ogive tube

**45 mm**

**PN.ADS.063.RBT**

63 x 1

Coppia adattatori per rullo Ø 63 mm - ROLLERBAT  
Crown & adapter for Ø 63 mm - ROLLERBAT

**45 mm**

**PN.ADS.070.RBT**

70 x 1

Coppia adattatori per rullo Ø 70 mm - ROLLERBAT  
Crown & adapter for Ø 70 mm - ROLLERBAT

**45 mm**

**PN.ADS.080.RBT**

80 x 1

Coppia adattatori per rullo Ø 80 mm - ROLLERBAT  
Crown & adapter for Ø 80 mm - ROLLERBAT

**55/59**  
mm

**ADS.070.OTT.055**

70 x 1,1

Coppia adattatori per rullo 70 mm ottagonale  
Crown & adapter for 70 mm octagonal tube

**55/59**  
mm

**ADS.078.OGI.055**

78 x 1

Coppia adattatori per rullo Ø 78 mm ogiva  
Crown & adapter for Ø 78 mm ogive tube

**55/59**  
mm

**ADS.A78.OGI.055**

AL

78 x 1

Coppia adattatori in alluminio per rullo Ø 78 mm ogiva  
Crown & aluminium adapter for Ø 78 mm ogive tube

**55/59**  
mm

**ADS.085.OGI.055**

85 x 1,2

Coppia adattatori per rullo Ø 85 mm ogiva  
Crown & adapter for Ø 85 mm ogive tube

**55/59**  
mm

**ADS.A85.OGI.055**

AL

85 x 1,2

Coppia adattatori in alluminio per rullo Ø 85 mm ogiva  
Crown & aluminium adapter for Ø 85 mm ogive tube

**55/59**  
mm

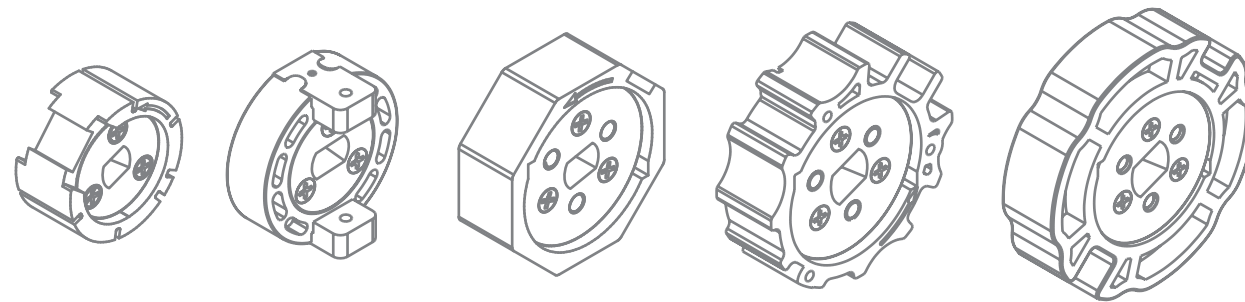
**ADS.100.TON.055**

AL

100 x 1,2

Coppia adattatori in alluminio per rullo Ø 100 mm  
Crown & aluminium adapter for Ø 100 mm tube



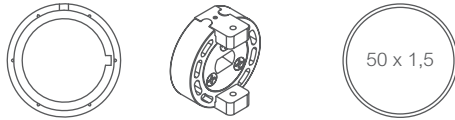


**Adattatori COMPENSATI**  
Offset adapters

Solo per motori finecorsa elettronici  
For electronic limit switch motors only

45  
mm

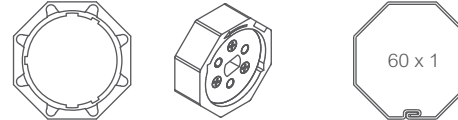
PN.ADC.150.TON



Coppia adattatori compensati per rullo Ø 50 mm tondo  
Crown & offset adapter for Ø 50 mm round tube

45  
mm

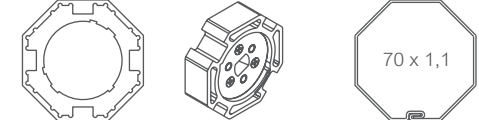
PN.ADC.160.OTT



Coppia adattatori compensati per rullo 60 mm ottagonale  
Crown & offset adapter for 60 mm octagonal tube

45  
mm

PN.ADC.170.OTT



Coppia adattatori compensati per rullo 70 mm ottagonale  
Crown & offset adapter for 70 mm octagonal tube

45  
mm

PN.ADC.170.OGI



Coppia adattatori compensati per rullo Ø 70 mm ogiva  
Crown & offset adapter for Ø 70 mm ogive tube

45  
mm

PN.ADC.178.OGI



Coppia adattatori compensati per rullo Ø 78 mm ogiva  
Crown & offset adapter for Ø 78 mm ogive tube

45  
mm

PN.ADC.185.OGI



Coppia adattatori compensati per rullo Ø 85 mm ogiva  
Crown & offset adapter for Ø 85 mm ogive tube

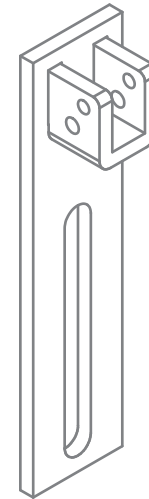
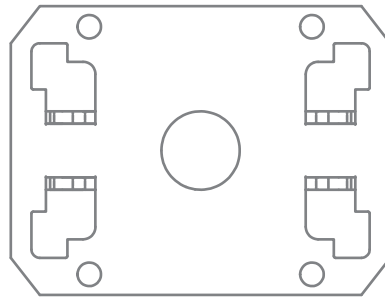
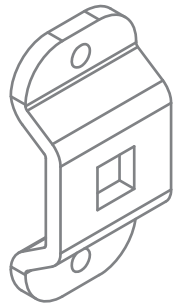
45  
mm

PN.ADC.100.OGI



Coppia adattatori compensati per rullo Ø 100 mm ogiva  
Crown & offset adapter for Ø 100 mm ogive tube





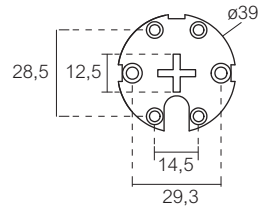
Supporti e Accessori  
Brackets and Accessories

<p><b>SUP.001.000</b></p> <p>Supporto verticale asolato Slotted star hole vertical bracket</p>	<p><b>SUP.002.000</b></p> <p>Supporto verticale asolato con sella Slotted vertical bracket with square support</p>	<p><b>SUP.003.000</b></p> <p>Supporto con foro stella dado-controdado Star hole bracket with locknut</p>
<p><b>SUP.004.000</b></p> <p>Supporto omega con foro stella Star hole omega bracket</p>	<p><b>SUP.005.000</b></p> <p>Supporto omega per tende da sole Omega bracket for sun awnings</p>	<p><b>SUP.006.000</b></p> <p>Supporto diretto (ø45mm) Bracket for direct fixing (ø45mm)</p>
<p><b>SUP.007.000</b></p> <p>Supporto diretto (ø35mm) Bracket for direct fixing (ø35mm)</p>	<p><b>SUP.008.000</b></p> <p>Piastra 100x100mm con sella Bracket (100x100mm) with square support</p>	<p><b>SUP.009.000</b></p> <p>Piastra 100x100mm multiforo 100x100mm multi hole plate</p>
<p><b>SUP.010.000</b></p> <p>Supporto ABS diretto (ø35mm) ABS bracket for direct fixing (ø35mm)</p>	<p><b>SUP.011.000</b></p> <p>Supporto ABS diretto (ø45mm) ABS bracket for direct fixing (ø45mm)</p>	<p><b>SUP.012.000</b></p> <p>Supporto Alluminio diretto (ø45mm) Aluminium bracket for direct fixing (ø45mm)</p>

Quote in "mm" - Dimensions in "mm"

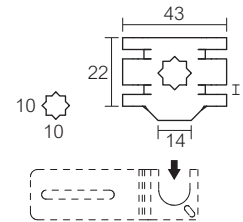
**SUP.015.000**

Piastrina a croce (ø35mm)  
Bracket with cross hole (ø35mm)



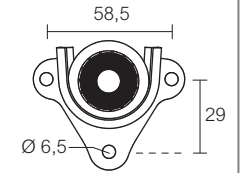
**SUP.016.000**

Inserto foro stella  
Star hole insert



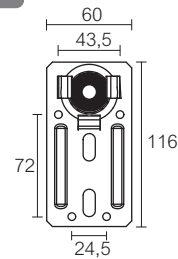
**SUP.018.000**

Cuscinetto universale  
Universal bearing



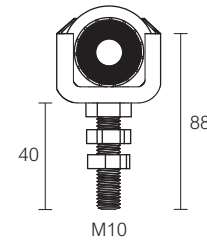
**SUP.019.000**

Cuscinetto per cassonetti termoisolanti  
Bearing for thermic insulation boxes



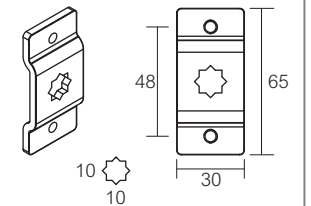
**SUP.020.000**

Cuscinetto regolabile con perno M10  
Adjustable bearing with M10 pin



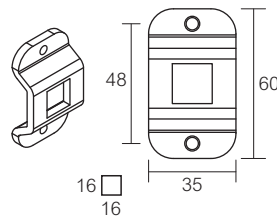
**SUP.021.000**

Supporto omega basso h=8mm  
Low omega bracket h=8mm



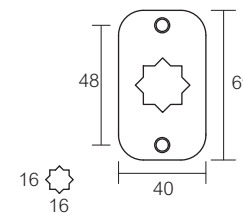
**SUP.022.055**

Supporto omega h15 per tende da sole  
Omega bracket h15 for sun awnings



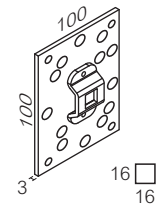
**SUP.023.055**

Supporto piatto con foro a stella 16x16  
16x16 star hole flat plate



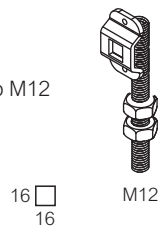
**SUP.024.055**

Piastra 100x100 multiforo  
con supporto omega e foro 16x16  
100x100 multi hole plate  
with omega bracket and 16x16 hole



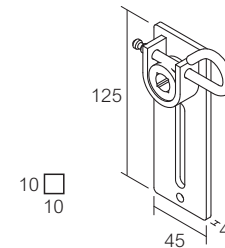
**SUP.025.055**

Supporto foro quadro 16x16 - dado controdado M12  
16x16 square hole bracket with locknut M12



**SUP.029.000**

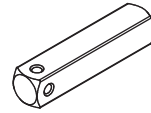
Supporto verticale con sblocco  
Vertical support with release



Quote in "mm" - Dimensions in "mm"

**SUP.PRQ.001**

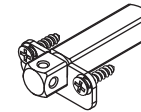
Perno quadro motori elettronici (ø45mm)  
Square pin for electronic LS motors (ø45mm)



10 □  
10

**SUP.PRQ.002**

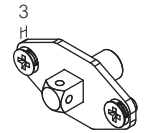
Perno quadro motori meccanici (ø45mm)  
Square pin for mechanical LS motors (ø45mm)



10 □  
10

**SUP.PRQ.003**

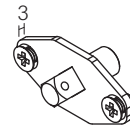
Perno quadro 90° per motori Saturn  
90° square pin for Saturn motors



10 □  
10

**SUP.PRQ.004**

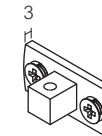
Perno quadro 45° per motori Saturn  
45° square pin for Saturn motors



10 □  
10

**SUP.PRQ.005**

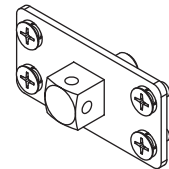
Perno quadro 90° (ø35mm)  
90° square pin (ø35mm)



10 □  
10

**SUP.PRQ.006.ULS**

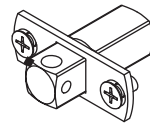
Perno quadro 16x16 per Ulisse  
16x16 square pin for Ulisse



16 □  
16

**SUP.PRQ.007.GLA**

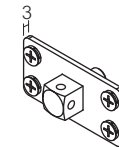
Perno quadro 16x16 per Golia  
16x16 square pin for Golia



16 □  
16

**SUP.PRQ.008**

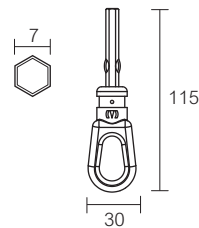
Perno quadro 90°(Neptune)  
90° square pin (Neptune)



10 □  
10

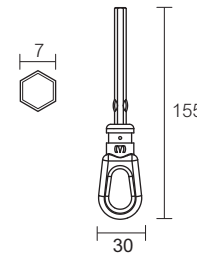
**OCS.SAT.115**

Occhiolo h115 per Saturn-Neptune  
Crank handle eyelet h115 for Saturn-Neptune



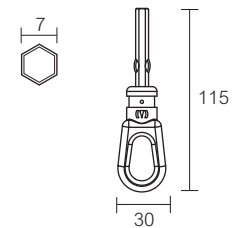
**OCS.SAT.155**

Occhiolo h155 per Saturn-Neptune  
Crank handle eyelet h155 for Saturn-Neptune



**OCS.SAT.115.ULS**

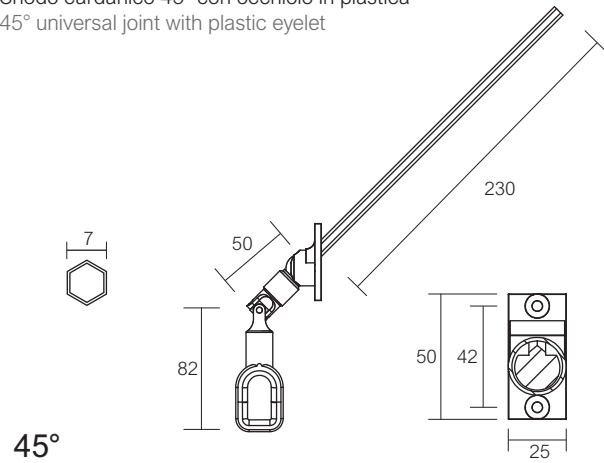
Occhiolo h=115mm per Ulisse  
Crank handle eyelet h=115mm for Ulisse



Quote in "mm" - Dimensions in "mm"

**SND.045.OCC**

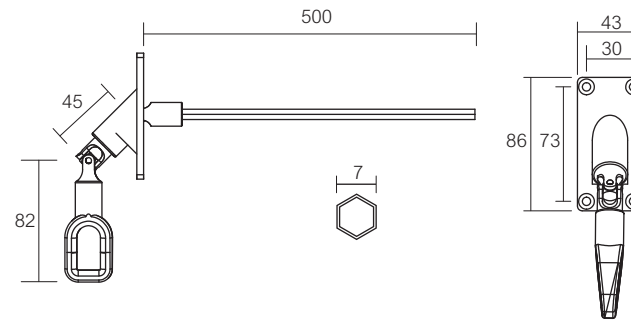
Snodo cardanico 45° con occhiolo in plastica  
45° universal joint with plastic eyelet



45°

**SND.090.OCC**

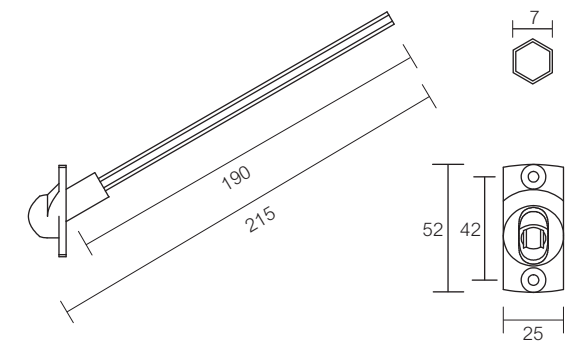
Snodo cardanico 90° con occhiolo in plastica  
90° universal joint with plastic eyelet



90°

**SND.045.170**

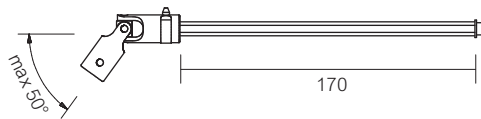
Snodo 45° ad innesto rapido  
45° fast connection joint



45°

**SND.PRO.170**

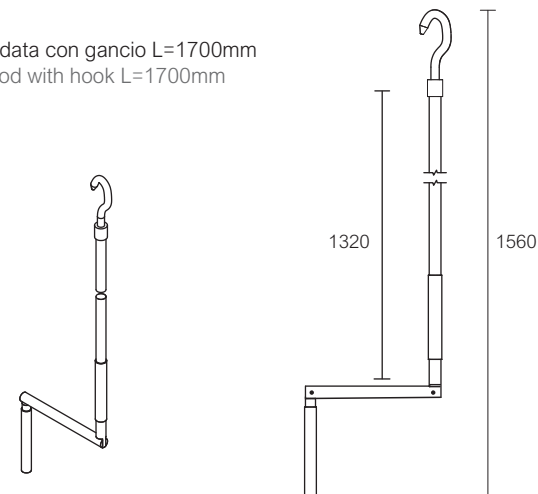
Snodo cardanico con prolunga  
Universal joint with extension rod



max 50°

**AST.170.GNC**

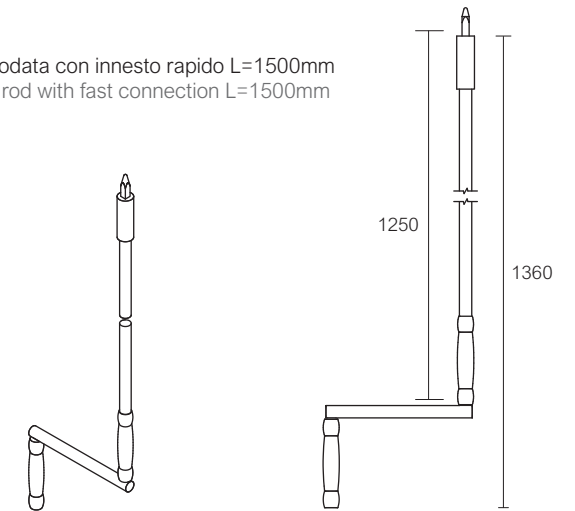
Asta snodata con gancio L=1700mm  
Jointed rod with hook L=1700mm



1320 1560

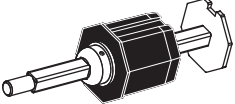
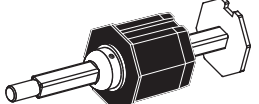
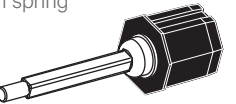
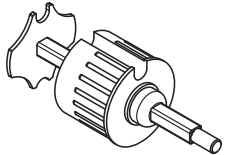
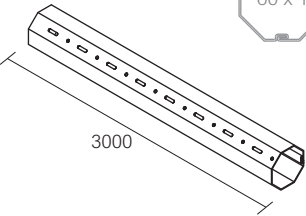
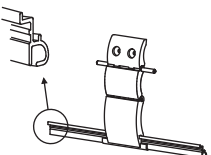
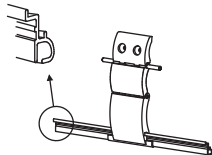
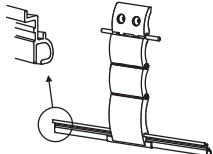
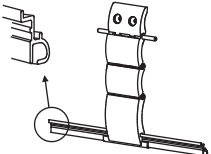
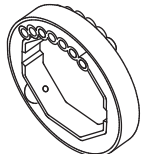
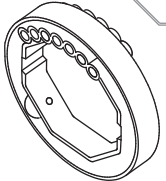
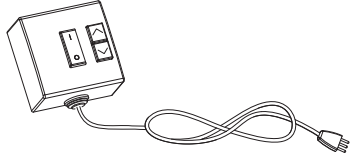
**AST.150.SGB**

Asta snodata con innesto rapido L=1500mm  
Jointed rod with fast connection L=1500mm



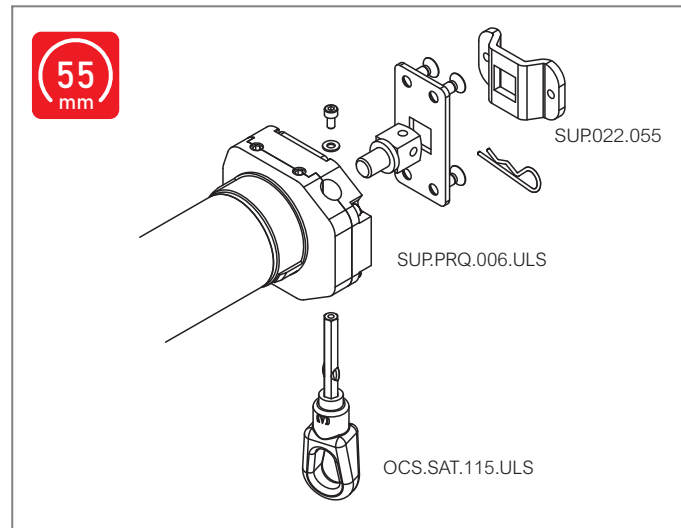
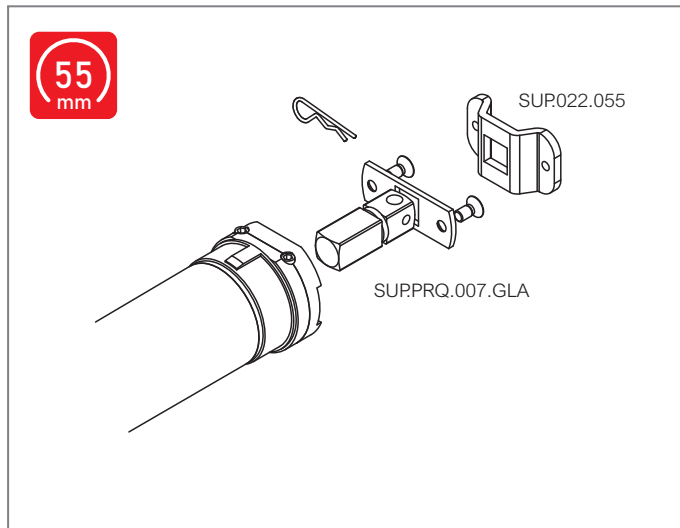
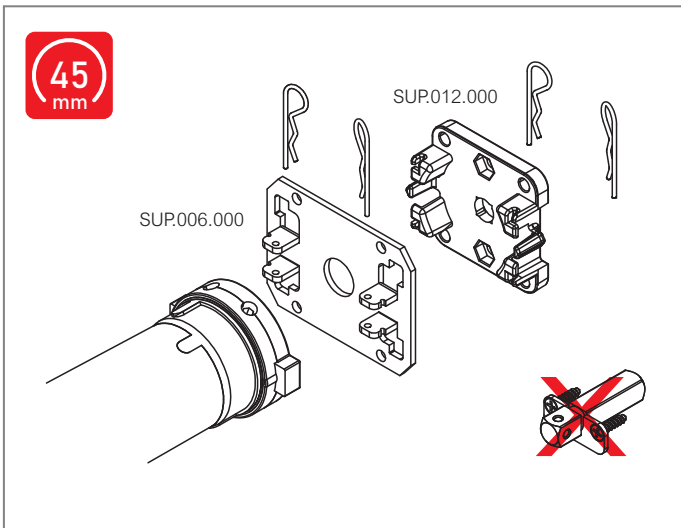
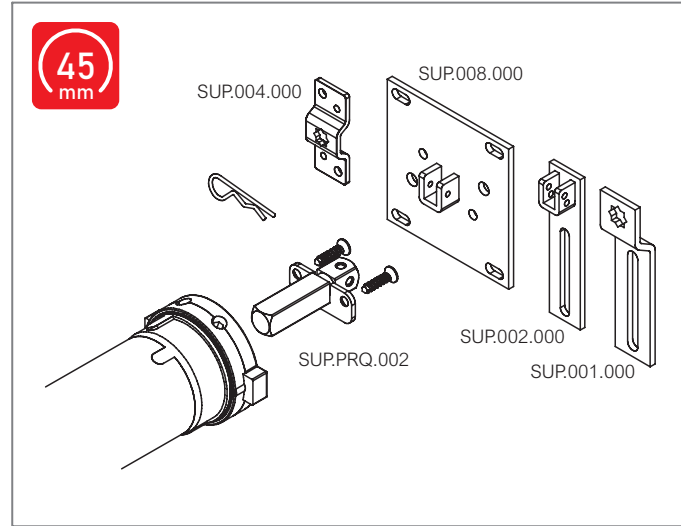
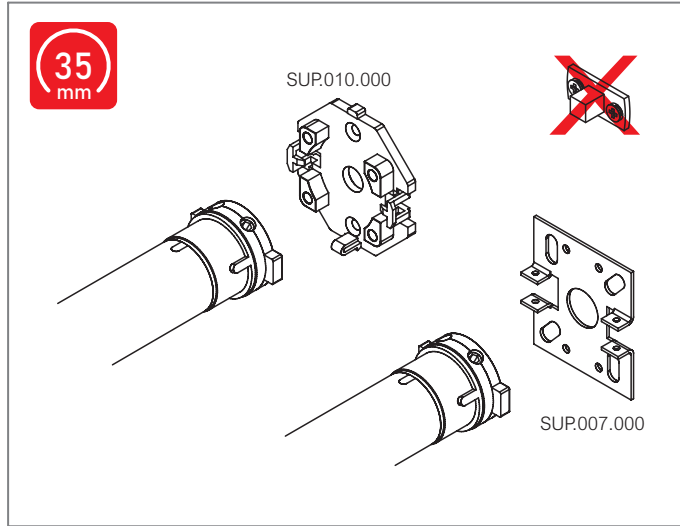
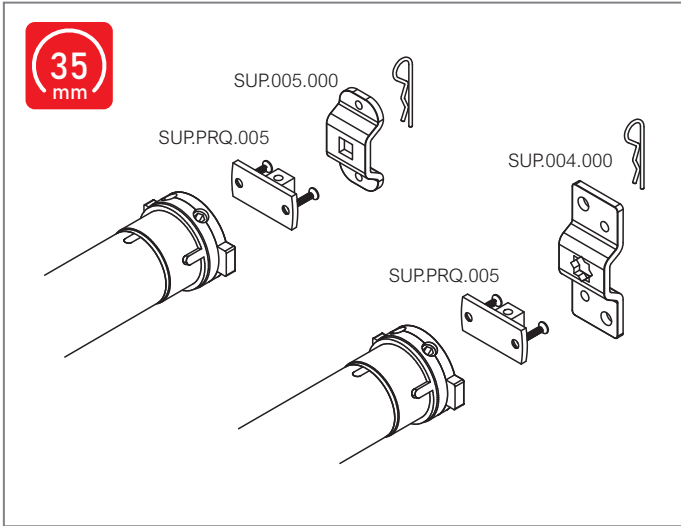
1250 1360

Quote in "mm" - Dimensions in "mm"

<p><b>SUP.CTP.060</b></p> <p>60 x 1</p> <p>Calotta telescopica per rullo 60 ottagonale Telescopic cap for 60 mm octagonal tube</p> 	<p><b>SUP.CTP.070</b></p> <p>70 x 1,1</p> <p>Calotta telescopica per rullo 70 ottagonale Telescopic cap for 70 mm octagonal tube</p> 	<p><b>SUP.CTM.160</b></p> <p>60 x 1</p> <p>Calotta telescopica per rullo 60 ottagonale con molla Telescopic cap for 60 mm octagonal tube with spring</p> 
<p><b>SUP.CTP.078</b></p> <p>Calotta telescopica per rullo ø78 ogiva Telescopic cap for ø78 ogive tube</p> 	<p><b>RUL.060.OTT</b></p> <p>60 x 1</p> <p>Rullo 60 ottagonale L=3000 60 mm octagonal tube L=3000</p> 	<p><b>AEF.MTK.209</b></p> <p>Motionblock 2 elementi profilo 8/9 2 element security lock for 8/9 mm slat</p> 
<p><b>AEF.MTK.214</b></p> <p>Motionblock 2 elementi profilo 14 2 element security lock for 14 mm slat</p> 	<p><b>AEF.MTK.309</b></p> <p>Motionblock 3 elementi profilo 8/9 3 element security lock for 8/9 mm slat</p> 	<p><b>AEF.MTK.314</b></p> <p>Motionblock 3 elementi profilo 14 3 element security lock for 14 mm slat</p> 
<p><b>AEF.060.CHI</b></p> <p>60 x 1</p> <p>Anello adattatore per rullo 60 ottagonale Fixing ring for 60 mm octagonal tube</p> 	<p><b>AEF.070.CHI</b></p> <p>70 x 1,1</p> <p>Anello adattatore per rullo 70 ottagonale Fixing ring for 70 mm octagonal tube</p> 	<p><b>CPM.000.300</b></p> <p>Cavo prova motori Motor test cable</p>  <p>L=2000</p>

Quote in "mm" - Dimensions in "mm"

Tavole sinottiche



Quote in "mm" - Dimensions in "mm"